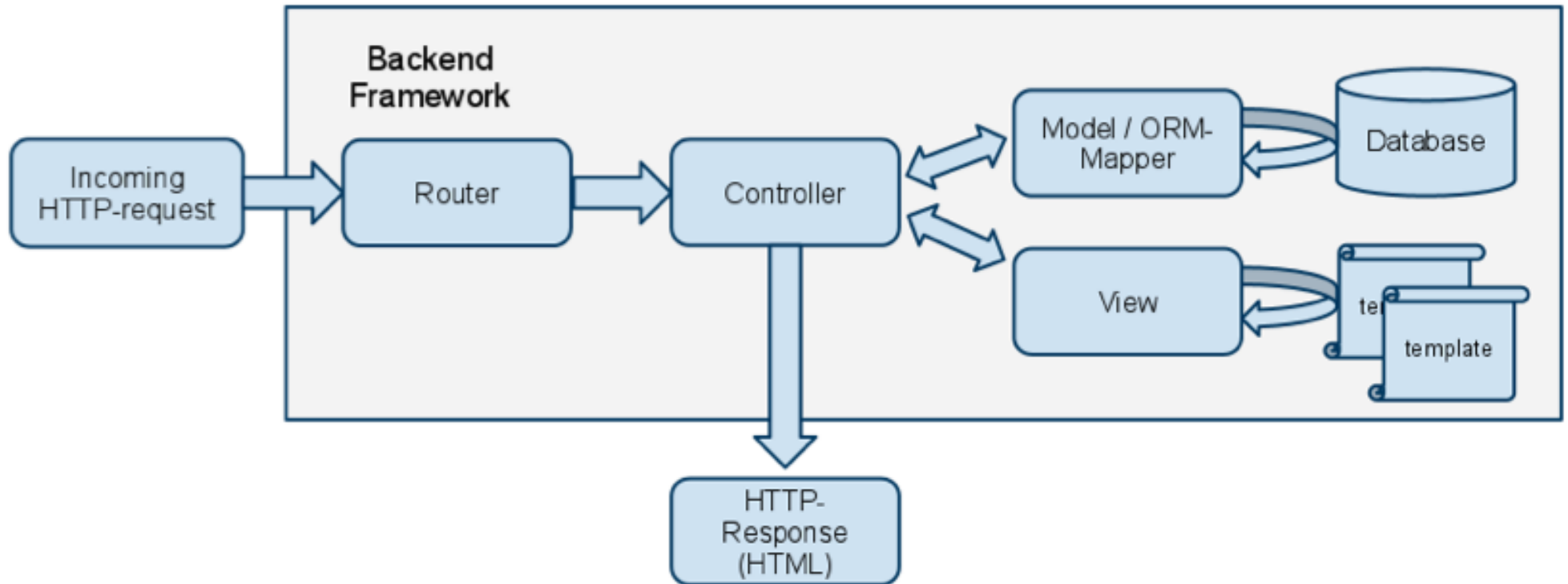


brunch

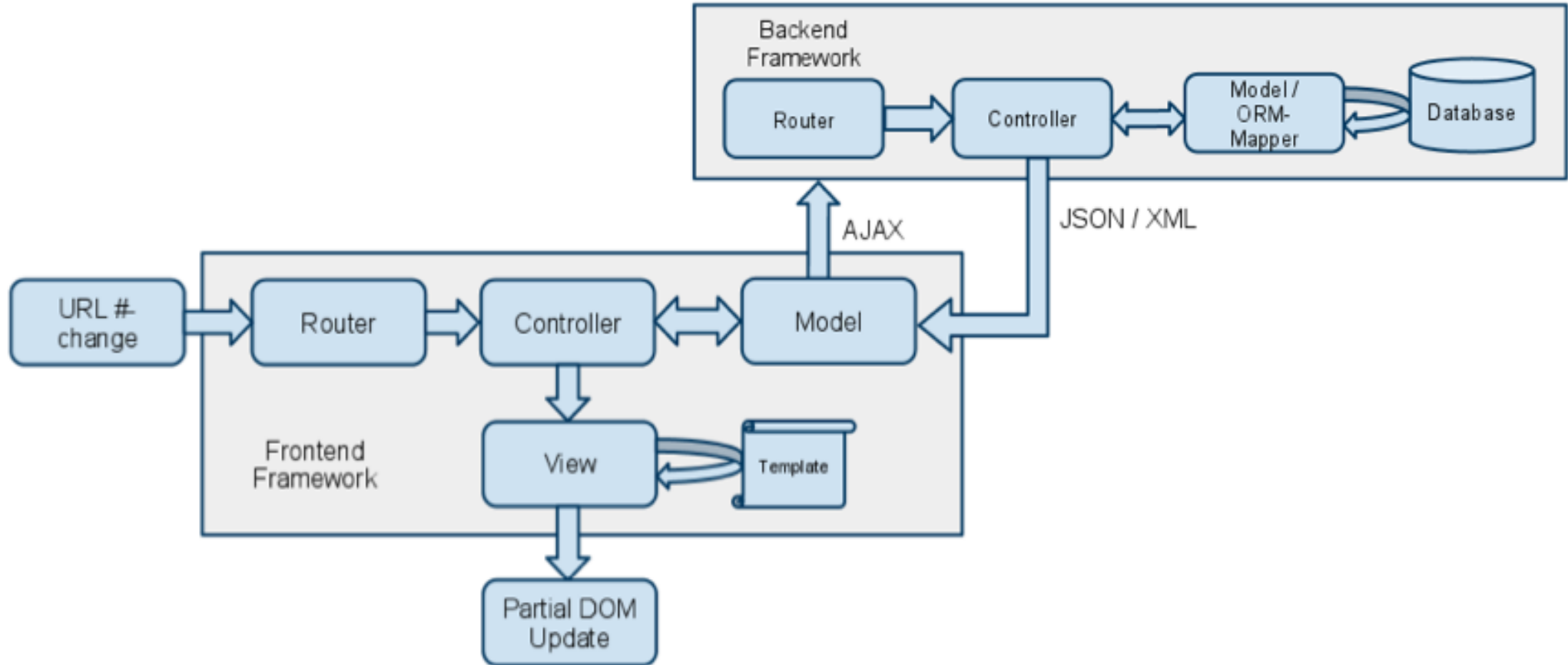
brunch is a lightweight client side framework (buildtool) on top of backbone, handlebars, stylus and coffee-script (and stitch)

Why
yet another framework?

Traditional Infrastructure



Client Side / Single Page App



Benefits of Client Side Applications

Speed / Efficiency (reduce waste)

User Experience!

Partial DOM replacement (great for musik players)

Offline Support

Problems of Client Side Applications

more Complex Infrastructure

Business Logic Duplications (Form Validation)

Accessibility

Exposure of Business Logic / Sensitive Data

Search Engine Optimization

Why
yet another framework?

The Core - Build Tool

Language: CoffeeScript

Business Logic: Backbone.js
Models, Collections, Router, View

Templates: Handlebars

Stylesheets: Stylus

Module System: Stitch (CommonJS)

Notes App Example

Examples

<http://brunch.io/example-todos/brunch/build/#home>

<https://github.com/brunch/example-todos/>

<https://www.blossom.io/>

<http://brillantengrund.com/>

<http://chaincalapp.com/> (Phonegap)

<https://www.uber.com/>

Extentions

Programming languages

JavaScript, CoffeeScript, IcedCoffeeScript, Roy

Pre-compiled templates

Handlebars.js, Jade, Mustache, Eco

Styles

CSS, Stylus, LESS, Sass

Minifiers

uglify.js, clean-css

End

Nik Graf
@nikgraf

www.blossom.io

thx to Jan Monschke
@thedefone
and Paul Miller
@paulmillr